

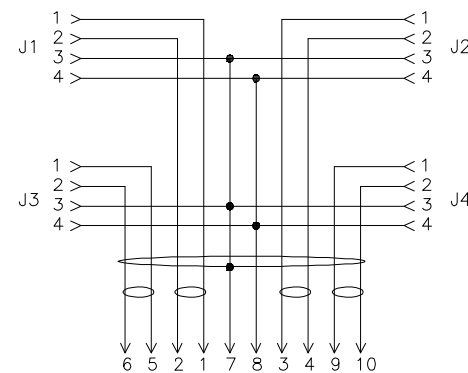
CABLE LENGTH	TOLERANCE*
ALL LENGTHS	+ 4% (OR 50mm) OF LENGTH - 0% (OR 0mm) OF LENGTH WHICHEVER IS GREATER
STRIP LENGTH	TOLERANCE*
0-7mm	±0.5mm
8-29mm	±1.0mm
30-49mm	±2.0mm
50-69mm	±3.0mm
70-100mm	±4.0mm
OVER 100mm	±5.0mm

* UNLESS OTHERWISE SPECIFIED

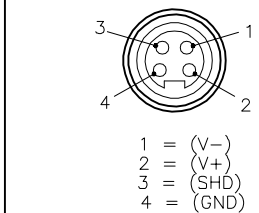
NOTES:

- "*" INDICATES CABLE LENGTH IN METERS. CONTACT TURCK TO ORDER SPECIFIC LENGTHS.
- CLEARANCE HOLE FOR 1/4-20 MOUNTING SCREWS (2 NOT INCLUDED).

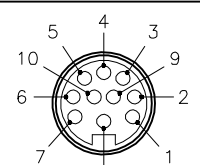
SPECIFICATIONS	
HOUSING MATERIAL	DIE-CAST ALUMINUM ALLOY
HOUSING FINISH/COLOR	POWDER COAT/BLACK
RECEPTACLE HOUSINGS/FINISH	STAINLESS STEEL/PASSIVATED
GLAND MATERIAL	NYLON
CONTACT CARRIERS MATERIAL/COLOR	TPU/BLACK (J1-J4); YELLOW (P1)
MOLDED HEAD MATERIAL/COLOR	TPU/BLACK (P1)
CONTACTS	BRASS/GOLD
OPERATING VOLTAGE	250 VAC/300 VDC
OPERATING CURRENT	4.0 AMPS PER PORT, 8.0 AMPS TOTAL
OUTER JACKET MATERIAL/COLOR	PVC/BLACK
CONDUCTOR INSULATION MATERIAL	PVC/NYLON
CONDUCTORS	9x18 AWG
DRAIN/SHIELD	5x20 AWG DRAINS/ALUMINUM-POLYESTER FOIL
PROTECTION CLASS	MEETS NEMA 1,3,4,4X,6P,12 AND IEC IP67,IP68,IP69,IP69K
OPERATING TEMPERATURE	-40°C to +80°C (-40°F to +176°F)
CONDUCTOR ARRANGEMENT	4 STP W/DRAIN, 1 GND, 1 DRN
CABLE RATINGS	UL: ITC-ER/PLTC-ER, DIRECT BURIAL, 105°C CSA: CIC, 90°C, 300V



FEMALE END VIEW (J1-J4)



MALE END VIEW (P1)



SOURCE DRAWING - FOR REFERENCE ONLY

RELATED DOCUMENTS	3RD ANGLE PROJECTION	THIS DRAWING IS CONFIDENTIAL AND THE PROPERTY OF TURCK INC. USE OF THIS DOCUMENT WITHOUT WRITTEN PERMISSION IS PROHIBITED.		3000 CAMPUS DRIVE MINNEAPOLIS, MN 55441 1-800-544-7769 (763) 553-7300 (763) 553-0708 fax www.turck.us	
1. 2. 3. 4.		DRFT	NF	DATE	09/22/16
MATERIAL	SEE SPECIFICATIONS	APVD	L.H.	SCALE	1=2.0
FINISH	SEE SPECIFICATIONS	UNIT OF MEASUREMENT		DESCRIPTION	
	CONTACT TURCK FOR MORE INFORMATION	MILLIMETER [INCH]		P-4 RKFV 40-489-*M-RSV 101	
		DO NOT SCALE THIS DRAWING		IDENTIFICATION NO.	REV
				FILE: 777038297	C
C	UPDATE PROTECTION CLASS	RDS	04/22/21	76669	
REV	DESCRIPTION	BY	DATE	ECO NO.	